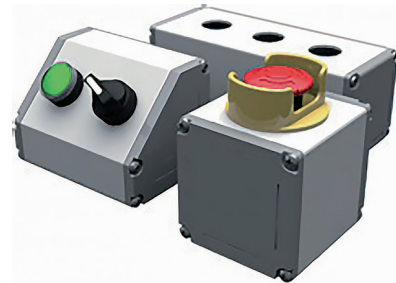


A Accessories

Switch Enclosures for Ø22/25 Control Switches

Ordering Information

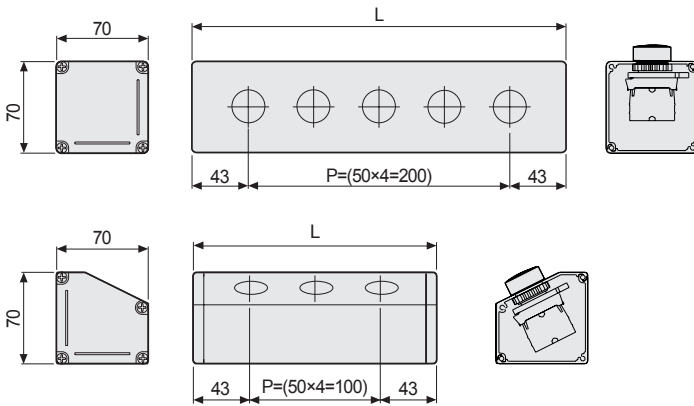
SA		SB	3	
Item	Applied switches	Appearance	Holes	
			1	1 hole
			2	2 holes
			3	3 holes
			4	4 holes
Item	Applied switches	Appearance	SB	Square type
			TB	Triangle type
Item	Applied switches	Appearance	No-mark	For Ø22/25 control switches
			SA	Switch accessories



※You can order the other size and the number of holes.

• Hole size: Ø22.5/25.5mm

(unit: mm)



Holes	L
1	86mm
2	136mm
3	186mm
4	236mm
5	286mm

Locking Handle for Switches

Applied switches	Appearance	Model	Note
Ø16		SA16-LH	For locking switch nuts behind the panels
Ø22/25, Ø30 ^{※1} , □30		SA-LH	

※1. Except Ø30 round pressure switches (extended).